

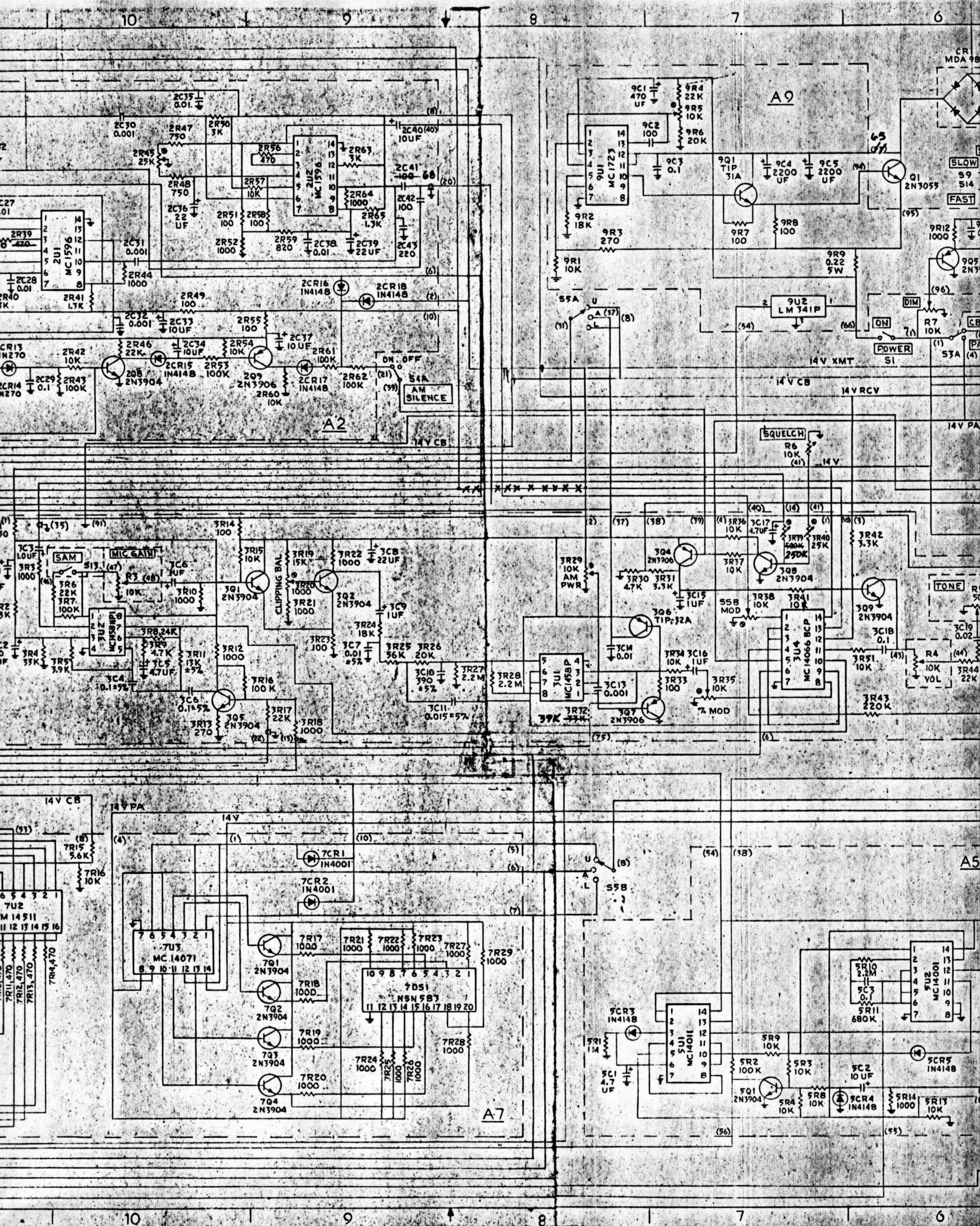


A.R.F. PRODUCTS, INC.

ENGINEERS AND MANUFACTURERS OF PRECISION ELECTRONIC EQUIPMENT

PRELIMINARY
SCHEMATIC DIAGRAMS
A.R.F. 2001
SCANNING TRANSCEIVER

HOME OFFICE AND MANUFACTURING PLANT - RATON, NEW MEXICO
RESEARCH AND DEVELOPMENT LABORATORY - BOULDER, COLORADO



10

9

8

7

6

A9

A2

A7

A5

10

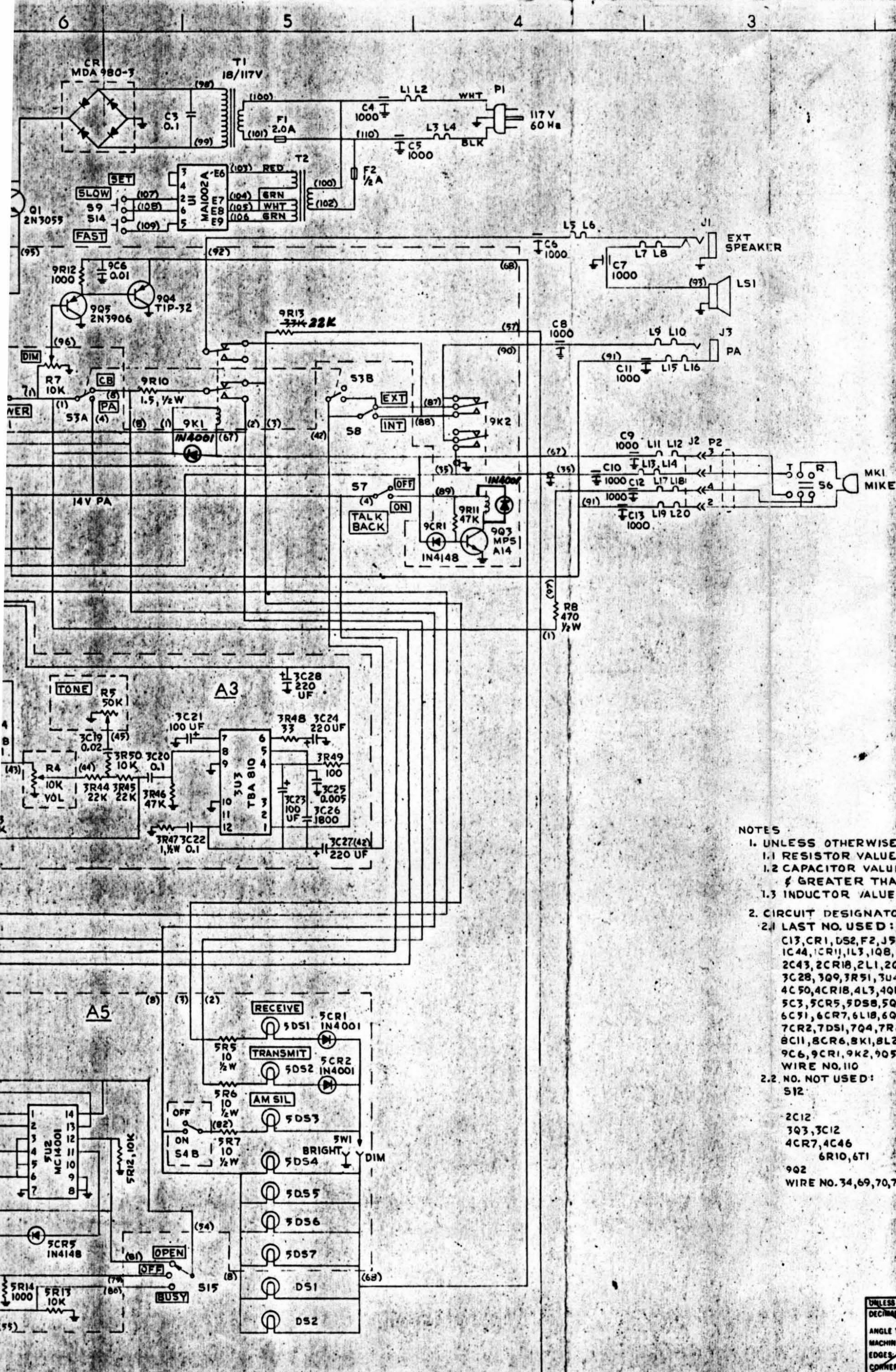
9

8

7

6

ZONE	LTN	DESCRIPTION
---	136	REVISION
---	137	REVISION
---	138	REVISION
---	139	REVISION
---	140	REVISION
---	141	REVISION
---	142	REVISION
---	143	REVISION
---	144	REVISION
---	0	PRODUCTION RELEASE



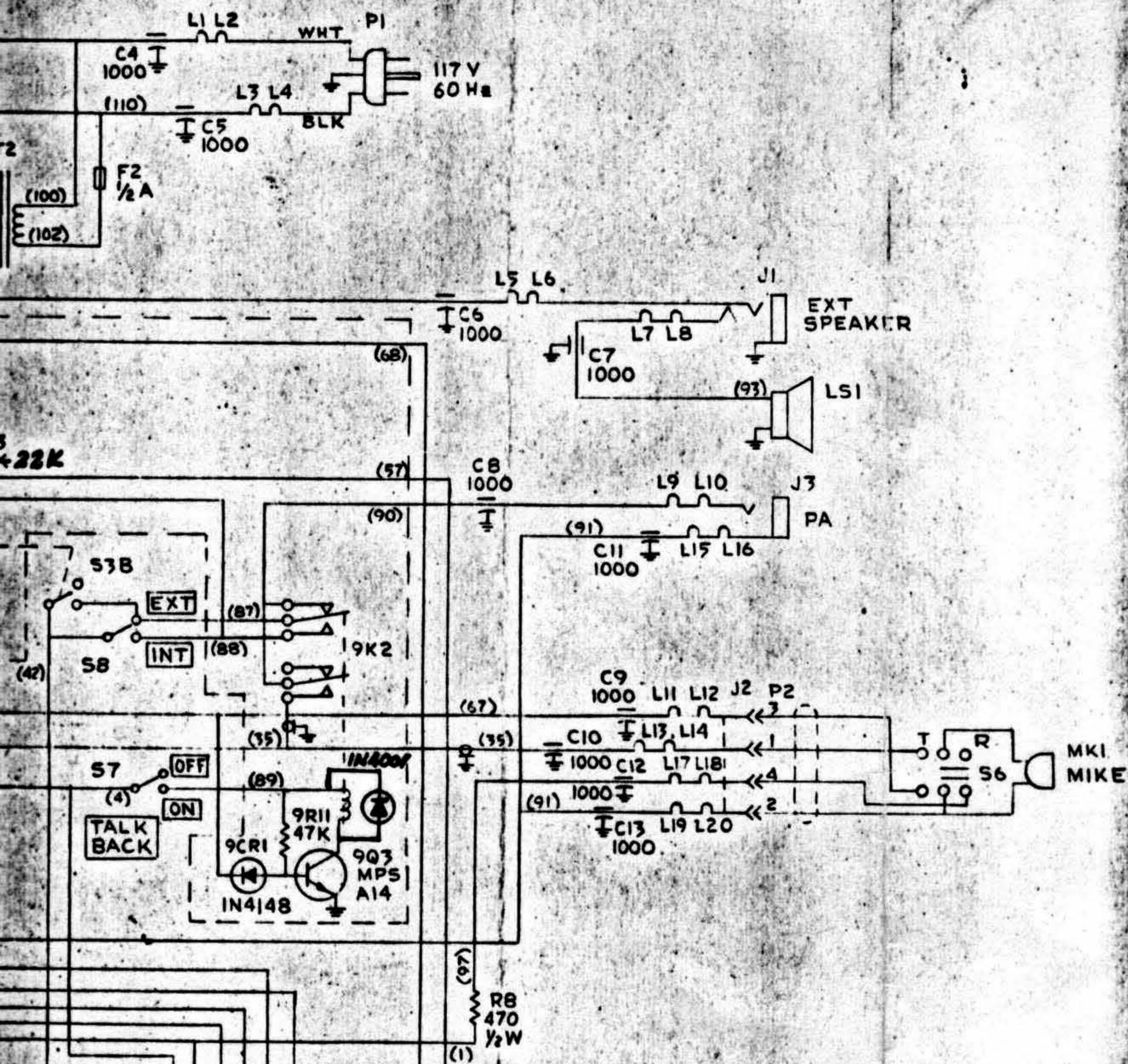
- NOTES
- UNLESS OTHERWISE SPECIFIED:
 - RESISTOR VALUES ARE IN OHMS $\pm 10\%$, $\frac{1}{4}$ W
 - CAPACITOR VALUES LESS THAN ONE ARE IN MICROFARADS & GREATER THAN ONE ARE IN PICOFARADS.
 - INDUCTOR VALUES ARE IN MICROHENRIES.
 - CIRCUIT DESIGNATORS:
 - LAST NO. USED:
 - C13, CRI, DS2, F2, J5, L20, LS1, M2, MK1, P3, Q1, R9, S16, T2, U1
 - 1C44, 1CR1, 1L3, 1QB, 1R57, 1T2, 1U3, 1Y4
 - 2C43, 2CR18, 2L1, 2Q9, 2R68, 2U2, 2Y4
 - 3C28, 3Q9, 3R51, 3U4
 - 4C50, 4CR18, 4L3, 4Q10, 4R51, 4U5, 4Y4
 - 5C3, 5CR5, 5DS8, 5Q1, 5R14, 5U2, 5W1
 - 6C51, 6CR7, 6L18, 6Q8, 6R42, 6L17, 6T2, 6U1
 - 7CR2, 7DS1, 7Q4, 7R29, 7U3
 - 8C11, 8CR6, 8K1, 8L2, 8Q1, 8R16, 8U1
 - 9C6, 9CR1, 9K2, 9Q5, 9R13, 9U2
 - NO. NOT USED:
 - S12
 - 2C12
 - 3Q3, 3C12
 - 4CR7, 4C46
 - 6R10, 6T1
 - 9Q2
 - WIRE NO. 34, 69, 70, 71, 72

319J83 0

THIS DRAWING MAY CONTAIN INFORMATION WHICH IS PROPRIETARY WITH A.R.P. PRODUCTS, INC. USE OF DISSEMINATION OF THIS MATERIAL FOR ANY PURPOSE OTHER THAN THAT FOR WHICH IT IS SUBMITTED IS NOT AUTHORIZED WITHOUT THE PRIOR WRITTEN CONSENT OF A.R.P. PRODUCTS, INC. A.R.P. PRODUCTS, INC. RESERVES ALL RIGHTS TO SUCH PROPRIETARY INFORMATION.

UNLESS OTHERWISE SPECIFIED	ITEM REQD	PART NO.	LIST
DECIMAL TOL: .XX ± .02		CB-3	
ANGLE TOL: .XXX ± .005		AUTHENTICATION	DATE
MACHINE FINISH: 125		DRAWN BY: <i>[Signature]</i>	11/27
EDGES: MAX R		CHECKED	
CORNERS: MAX R		VERIFIED	
MATERIAL		APPROVED	
			SIZE CO
			J1
			SCALE

REVISIONS			
ZONE	LTR	DESCRIPTION	DATE
-	136	REDESIGN W/ WIRE CHANGE	17 Jun 77
-	137	CORRECTED	18 Jun 77
-	138	REVISED	18 Jun 77
-	139	REVISED	20 Jun 77
-	140	REVISED	20 Jun 77
-	141	REVISED	20 Jun 77
-	142	REVISED	20 Jun 77
-	143	REVISED	20 Jun 77
-	144	REVISED	20 Jun 77
-	0	PRODUCTION RELEASE W/ WIRE CHANGE	20 Jun 77



NOTES

1. UNLESS OTHERWISE SPECIFIED:
 - 1.1 RESISTOR VALUES ARE IN OHMS $\pm 10\%$, $\frac{1}{4}$ W
 - 1.2 CAPACITOR VALUES LESS THAN ONE ARE IN MICROFARADS & GREATER THAN ONE ARE IN PICOFARADS.
 - 1.3 INDUCTOR VALUES ARE IN MICROHENRIES.

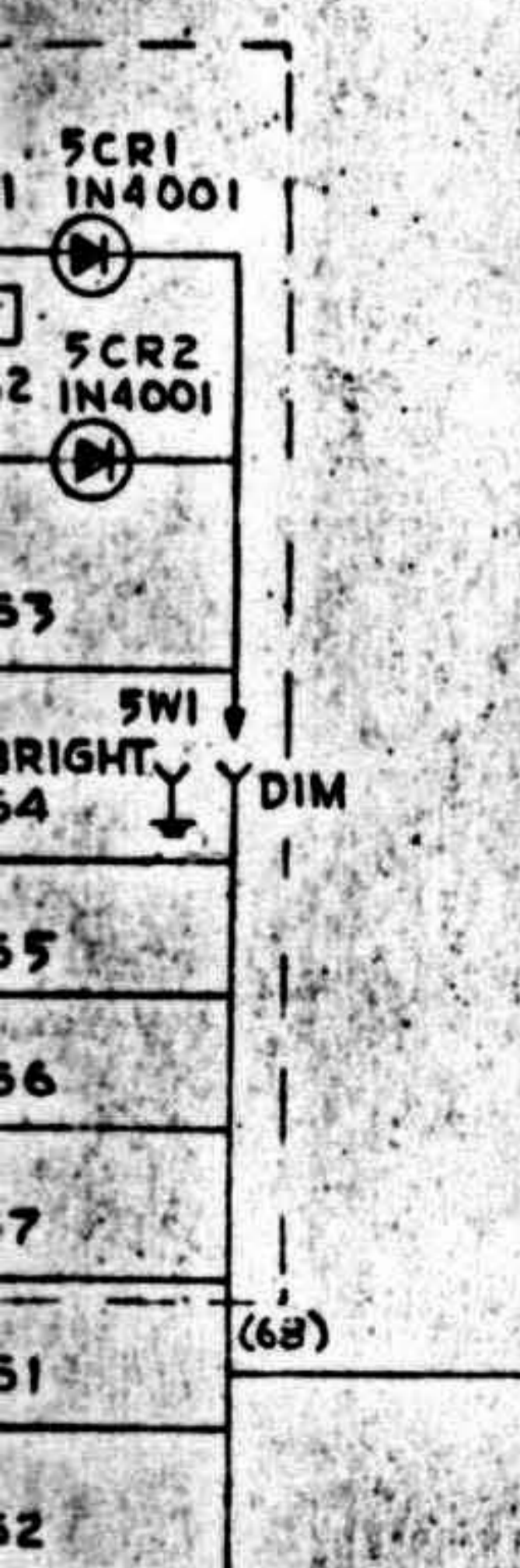
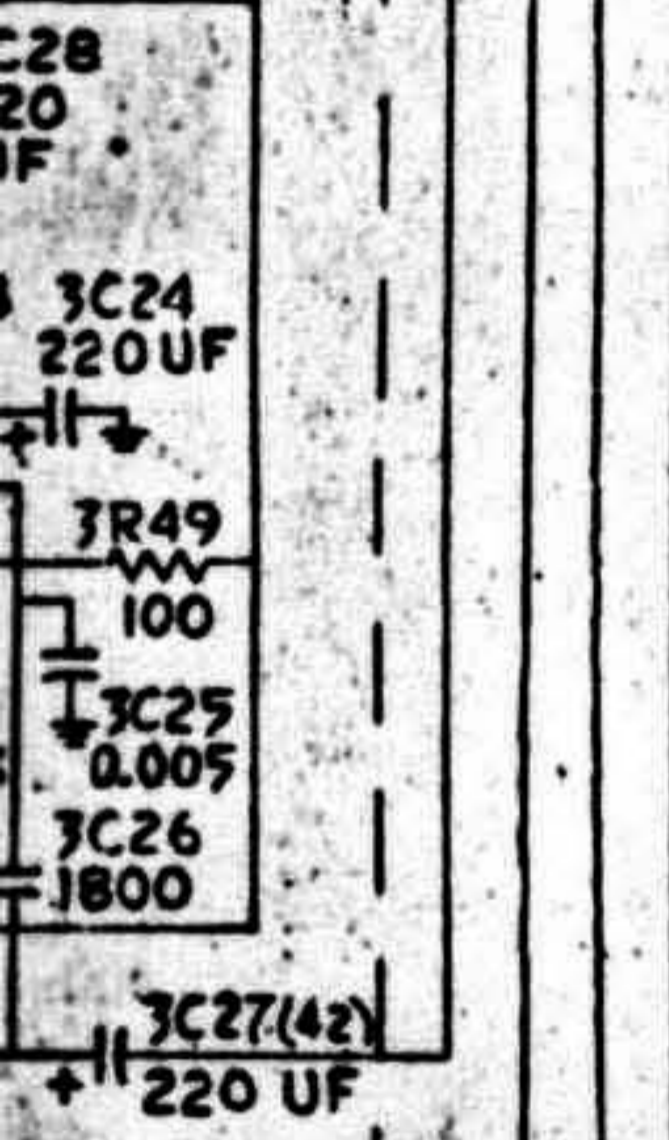
2. CIRCUIT DESIGNATORS:

2.1 LAST NO. USED:

C13, CR1, DS2, F2, J5, L20, LS1, M2, MK1, P3, Q1, R9, S16, T2, U1
 IC44, IC11, IL3, IQB, IR57, IT2, IU3, IY4
 2C43, 2CR18, 2L1, 2Q9, 2R68, 2U2, 2Y4
 3C28, 3Q9, 3R51, 3U4
 4C50, 4CR18, 4L3, 4Q10, 4R51, 4U5, 4Y4
 5C3, 5CR5, 5DS8, 5Q1, 5R14, 5U2, 5W1
 6C51, 6CR7, 6L18, 6Q8, 6R42, 6L17, 6T2, 6U1
 7CR2, 7DS1, 7Q4, 7R29, 7U3
 8C11, 8CR6, 8K1, 8L2, 8Q1, 8R16, 8U1
 9C6, 9CR1, 9K2, 9Q5, 9R13, 9U2
 WIRE NO. 110

2.2 NO. NOT USED:

S12
 2C12
 3Q3, 3C12
 4CR7, 4C46
 6R10, 6T1
 9Q2
 WIRE NO. 34, 69, 70, 71, 72



THIS DRAWING MAY CONTAIN INFORMATION WHICH IS PROPRIETARY WITH A.R.F. PRODUCTS, INC. USE OF DISSEMINATION OF THIS MATERIAL FOR ANY PURPOSE OTHER THAN THAT FOR WHICH IT IS SUBMITTED IS NOT AUTHORIZED WITHOUT THE PRIOR WRITTEN CONSENT OF A.R.F. PRODUCTS, INC. A.R.F. PRODUCTS, INC. RESERVES ALL RIGHTS TO SUCH PROPRIETARY INFORMATION.

ITEM REQD	PART NO.	DESCRIPTION	NS
	CB-3	SCHEMATIC, CB TRANSCEIVER BASE	

UNLESS OTHERWISE SPECIFIED: DECIMAL TOL: .XX ± .02 .XXX ± .005	ANGLE TOL: 2	MACHINE FINISH: 125	EDGES: MAX R	CORNERS: MAX R
AUTHENTICATION		DATE	A.R.F. PRODUCTS, INC. BAYON, NEW MEXICO BOULDER, COLORADO	
DRAWN: [Signature]		7/10/77	SCHEMATIC, CB TRANSCEIVER BASE	
CHECKED			SIZE: J 15196 319J83	
VERIFIED			CODE IDENT NO: 319J83	
APPROVED			SCALE: 1 SHEET	



A.R.F. PRODUCTS, INC.